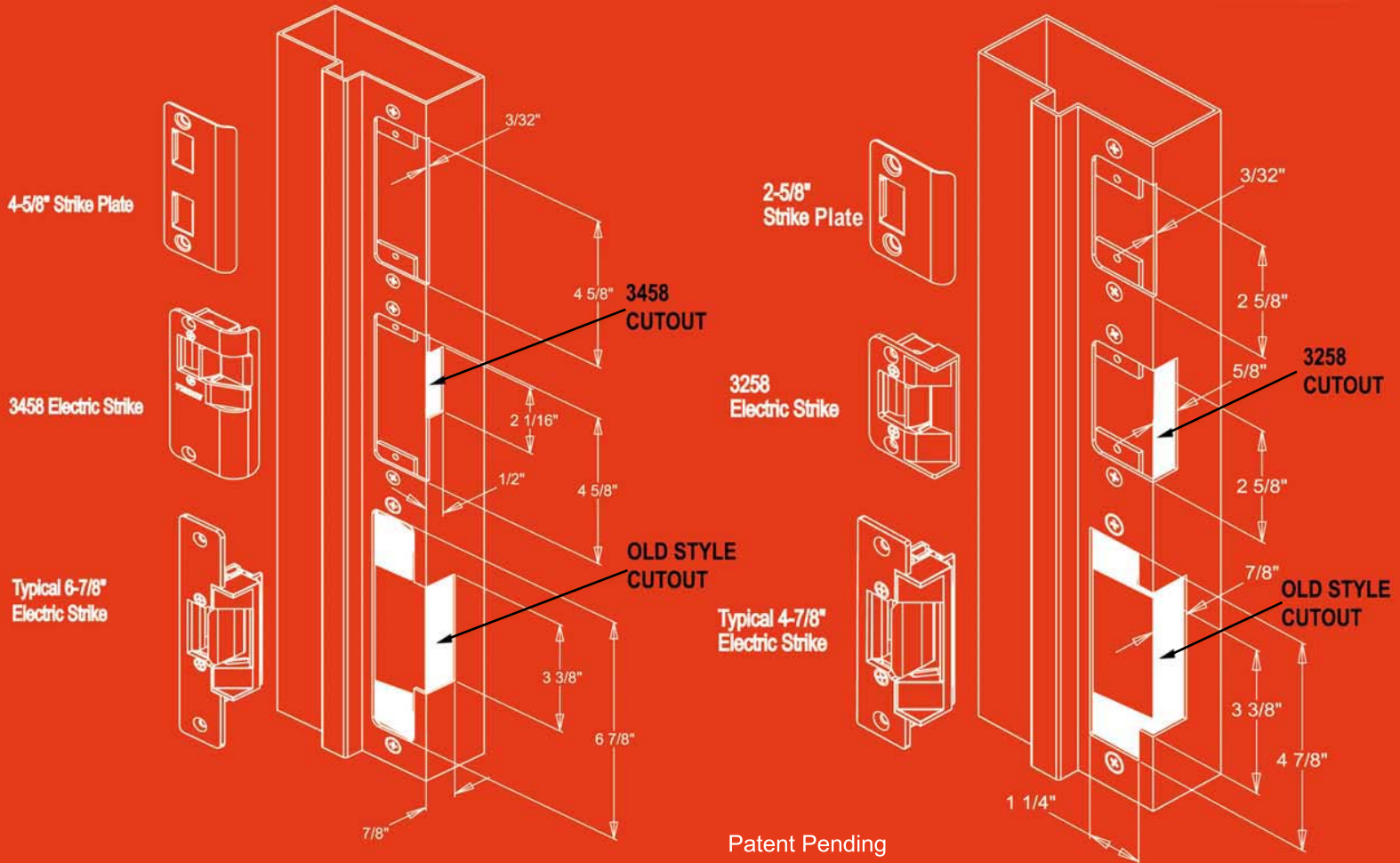


New Trine strikes reduce frame cutting up to 70%



3458 and 3258 Axion Strikes yield extraordinary savings.

The 3458 is designed to replace 4-5/8" high strike plates in aluminum frames. Its design requires only a 2-1/16" cut on the frame face and utilizes existing tab holes. Unlike other strikes, the cutout need not be expanded to accommodate the 6-7/8" strike which involves 70% more cutting and the drilling of new tab holes.

The 3258 has been created to replace the 2-5/8" strike plates in aluminum frames.

Both strikes have only a 1" total backset and ratings of 1200 lbs. holding force and 500,000 life cycles.

Each strike is available in an LC version, allowing 12-24 AC/DC operation plus the additional safeguard of surge and kickback protection.



TRINE
ACCESS TECHNOLOGY
www.trineonline.com

Trine Access Technology
1440 Ferris Place
Bronx, NY 10461-3699
TEL: 718-829-2332
FAX: 718-829-6405

FEATURES

- **Smallest backset in the industry - 1"**
- Durability 500,000 life cycles
- Holding force 1200 lbs
- All stainless steel locking parts
- Solid cast stainless steel latch
- Micro solenoid assembly
- Non-handed
- Low current draw
- Fail Secure Standard - Add "RS" for Fail Safe

STANDARDS

- BHMA A156.31, 2001, Grade 2
- BHMA-Building Hardware Manufacturing Association. Grade 2 requires product testing at **1000 lbs.** static holding force, **50ft/lb** dynamic force and **300,000** life cycles.
- **Patent Pending**

LC models utilize an external line conditioner module to regulate voltage for the 3000 series models. The module regulates input voltages, 12-24 AC or DC, and conditions the output for the pull in activation period and continuous operation. **"Provides surge and inductive kickback protection."**

OPTIONS:

- BZ-12 Audible buzzer for 12DC power
- BZ-24 Audible buzzer for 24DC power

Piezo Buzzer for "LC Models"

- BZ-6 Audible buzzer for 6DC power

HOW TO ORDER

MODEL	-	VOLAGE	-	FINISH
3258	-	12DC	-	26D
3258LC	-	NA	-	26D
3258RS	-	NA	-	26D

ELECTRICAL CHARACTERISTICS:

STANDARD MODELS

Fail Secure - Normally Locked (Intermittent DC Duty)

<u>VOLTAGE</u>	<u>CURRENT/AMPS</u>	<u>OHMS</u>	<u>DUTY</u>	<u>SOUND</u>	<u>WIRE COLOR</u>	<u>MODEL</u>
12VDC	.480	25	INTM.	SILENT	BLUE	STD
24VDC	.240	100	INTM	SILENT	WHITE	STD

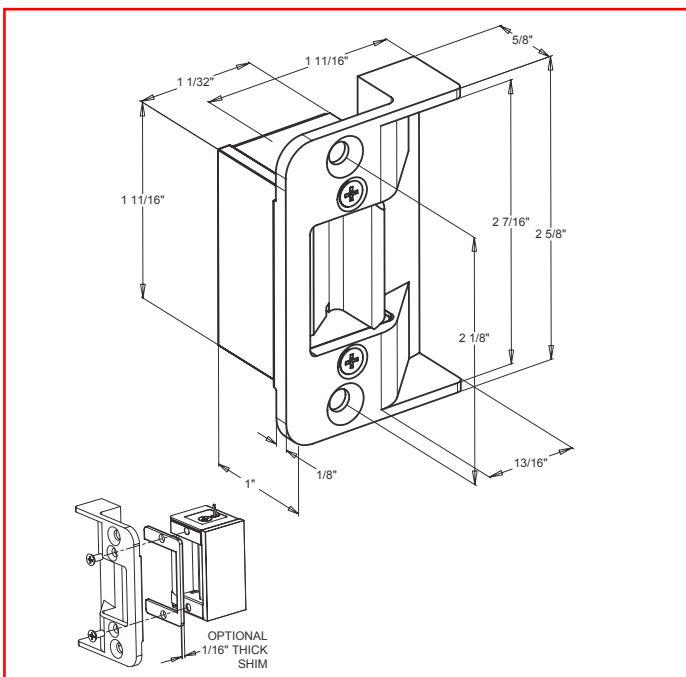
LC/RS MODELS (12-24V, AC/DC INPUT)

Fail Secure - Normally locked (Intermittent & Continuous)

Fail Safe (RS) - Normally unlocked (Intermittent & Continuous)

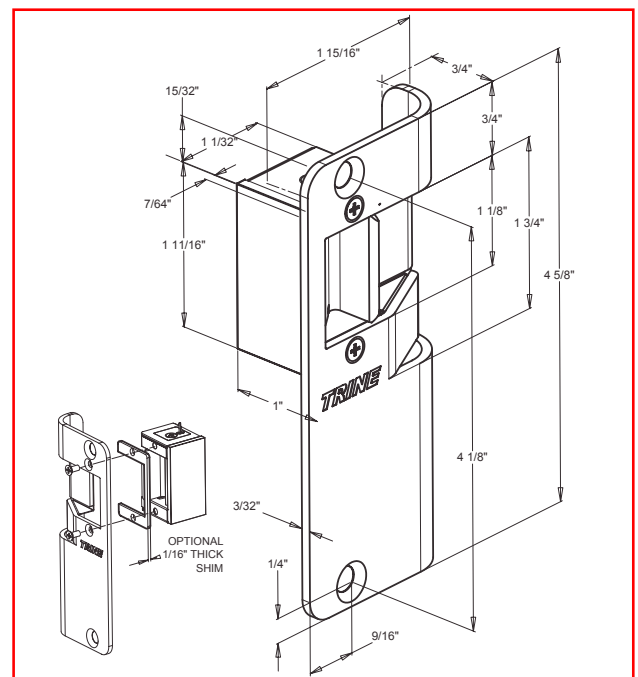
<u>VOLTAGE</u>	<u>PULL IN / HOLD AMPS</u>	<u>OHMS</u>	<u>DUTY</u>	<u>SOUND</u>	<u>WIRE COLOR</u>	<u>MODEL</u>
12VDC	.630 / .270	13	INTM./CONT.	SILENT	RED	LC
12VAC	.690 / .260	13	INTM./CONT.	SILENT	RED	LC
24VDC	.370 / .160	13	INTM./CONT.	SILENT	RED	LC
24VAC	.330 / .150	13	INTM./CONT.	SILENT	RED	LC

3258 Template



AVAILABLE FINISHES: US10B, US26, US26D

3458 Template



AVAILABLE FINISHES: US10B, US26, US32D

Specify RH or LH when ordering.