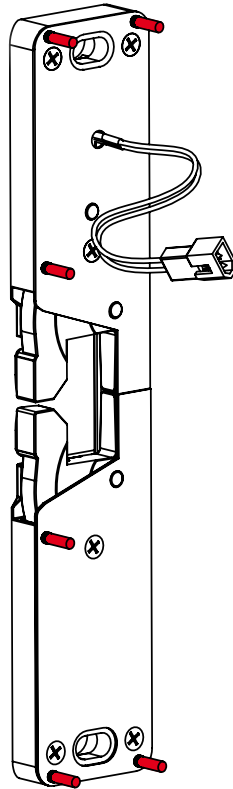
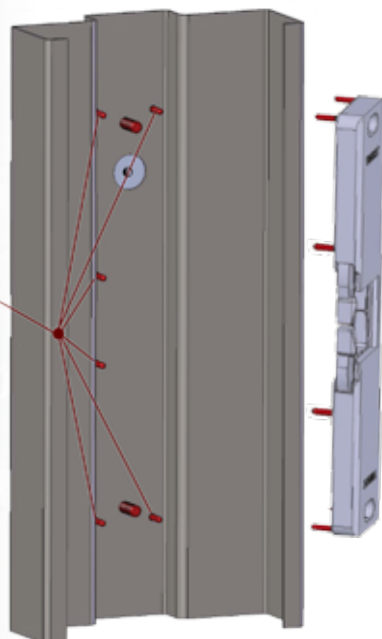


## PATENTED 6-PIN ANCHORING SYSTEM

- Included in every 4800 series strike.
- Prevents strike from shifting on the frame for the most secure installations.
- Use the included spacer plate as a guide when mounting the Anchoring System.
- Two new center pins suggested for installs in high traffic locations.

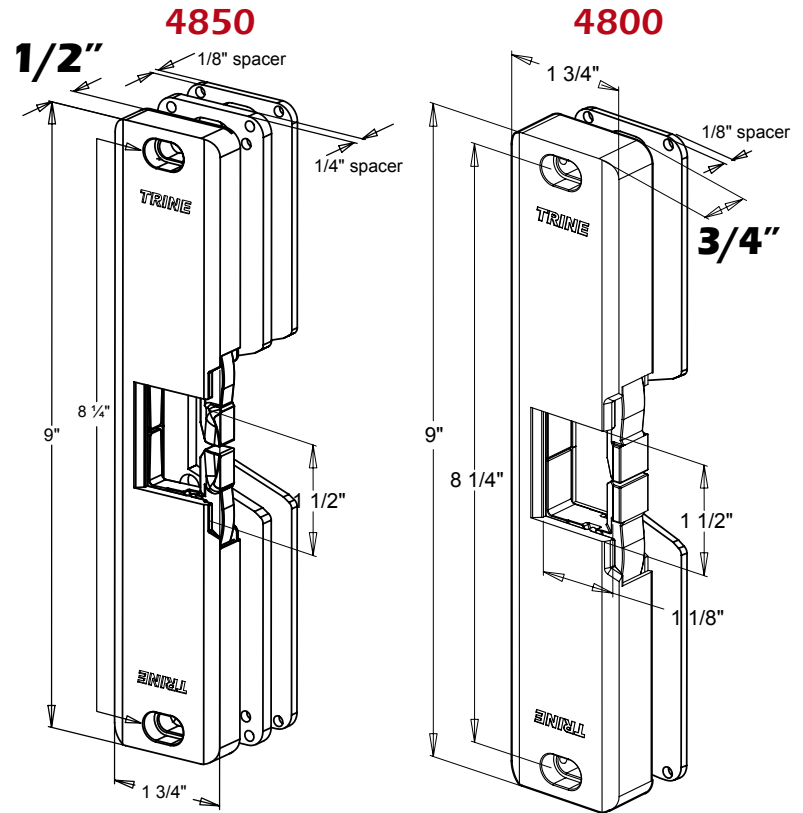


- The Anchoring System provides six additional points of connection and helps you to handle the toughest installations.



- This brings the 4850 to a total 8 points of connection between the frame and strike. **All at your choosing.**

## DIMENSIONS



## 4800 SERIES ACCESSORIES

### MWH-5

#### REMOVABLE MULLION WIRE HARNESS FOR 4800 SERIES ELECTRIC STRIKES

Contains:

- (1) 5' Wire for mullion with male/female connectors.
- (1) Male connector.
- (1) Female connector.
- (4) Wire caps.
- (1) Wire tie.
- (1) Mullion cap.
- (1) Wire adhesive.

### 4850-AK: ACCESSORIES KIT

Contains:

- (1) Fail safe Plunger.
- (6) Anchoring pins.
- (2) Wire caps.
- (1) Fail safe cam.
- (1) Wire connector.
- (2) Mounting Screws.

### 4800-AK: ACCESSORIES KIT

Contains:

- (1) Fail safe Plunger.
- (1) Wire connector.
- (2) Mounting Screws.
- (6) Anchoring pins.
- (2) Wire caps.

### 4800-SS: 1/8" SPACER PLATE