

3234

Electric Strike Wood Frame Preparation



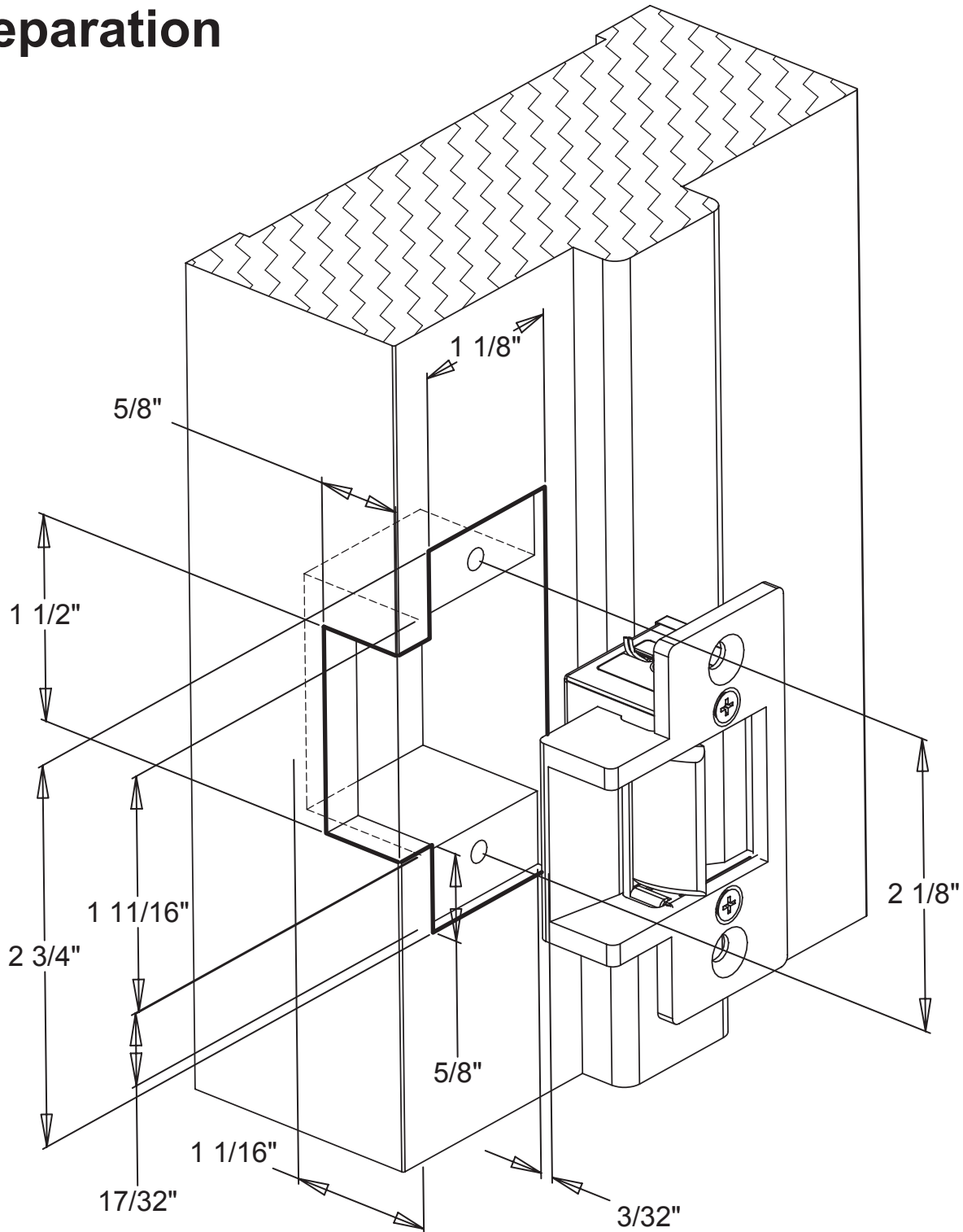
1440 Ferris Place • Bronx • New York • 10461-3699

Telephone Number: (718) 829-2332

Fax Number: (718) 829-6405

Email: CustomerService@Trineonline.com

Website: www.Trineonline.com



NOTE: USE 2 INCH LONG (OR LONGER) WOOD SCREWS FOR MOUNTING