

258RD

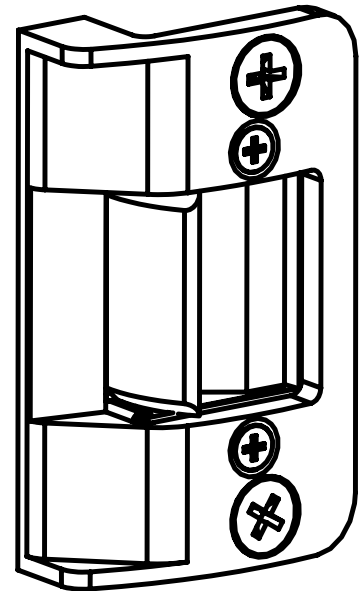
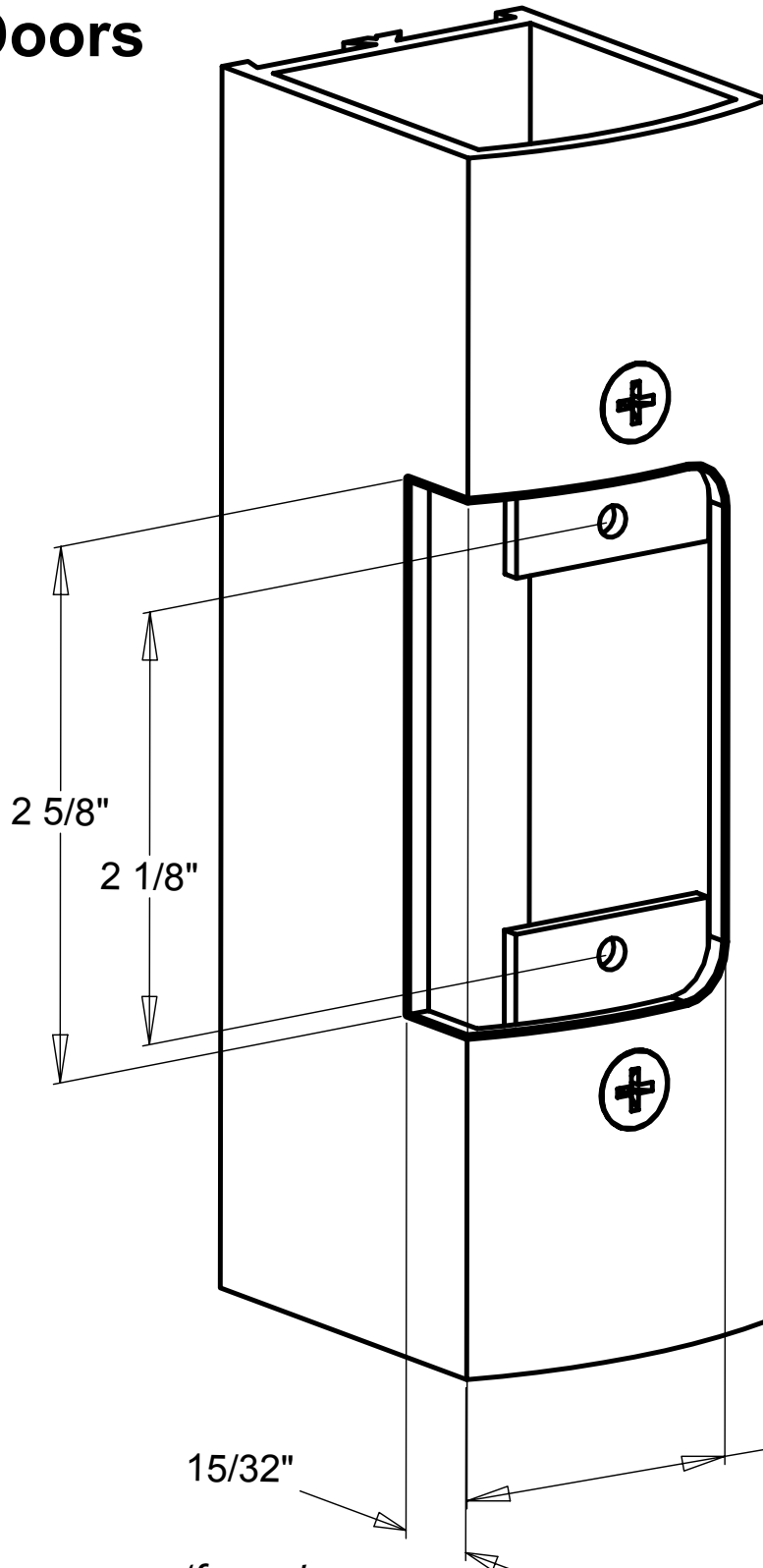
Electric Strike Frame Preparation For Aluminum Doors



1440 Ferris Place • Bronx • New York • 10461-3699
Telephone Number: (718) 829-2332
Fax Number: (718) 829-6405
Email: CustomerService@Trineonline.com
Website: www.Trineonline.com



Radius of
faceplate matches
the radius surface
of the door.



NOTE: Door prep, not a 'frame' prep.