

# 3478

## Electric Strike Wood Frame Preperation



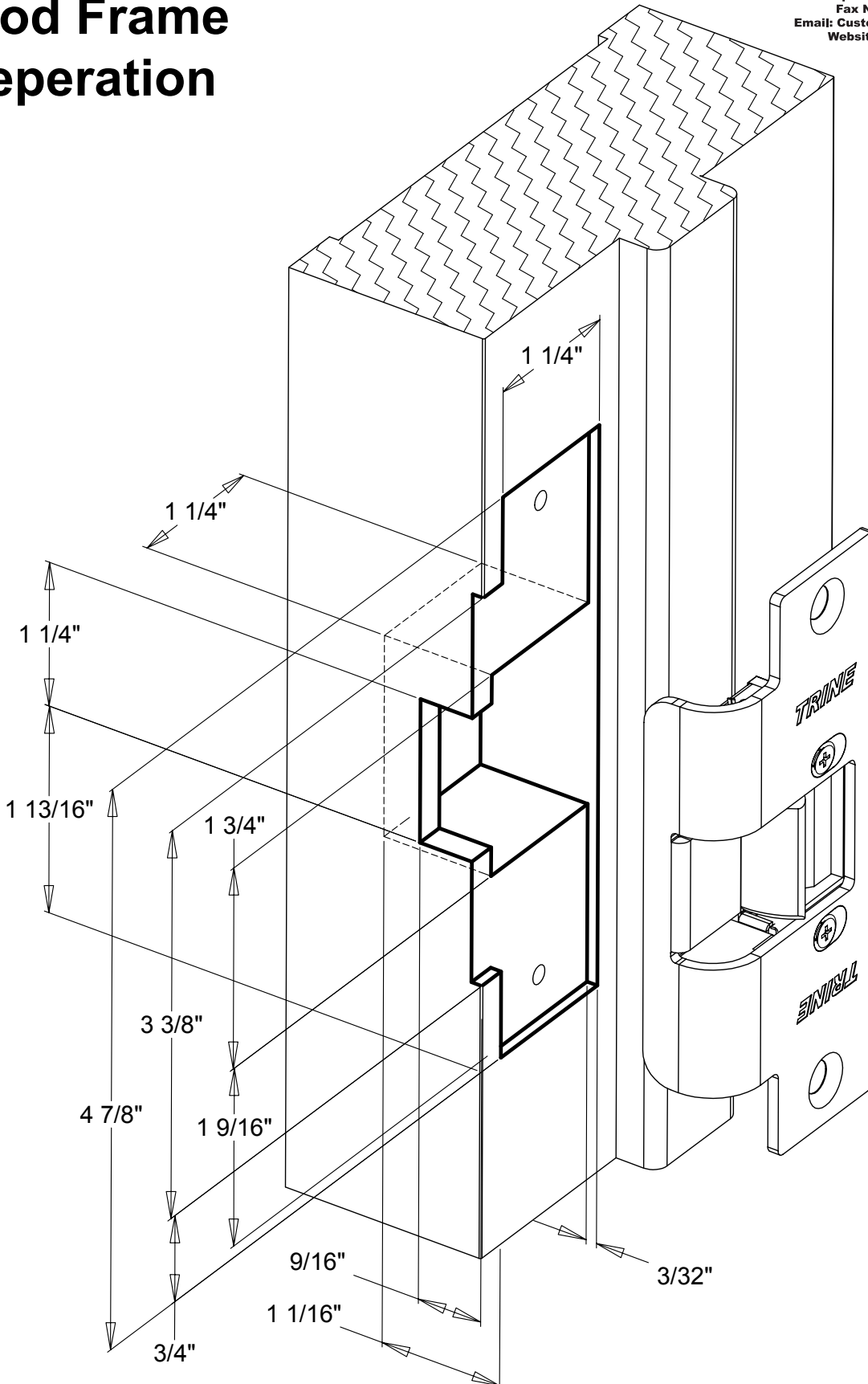
1440 Ferris Place • Bronx • New York • 10461-3699

Telephone Number: (718) 829-2332

Fax Number: (718) 829-6405

Email: [CustomerService@Trineonline.com](mailto:CustomerService@Trineonline.com)

Website: [www.Trineonline.com](http://www.Trineonline.com)



**NOTE: USE 2 INCH LONG (OR LONGER) WOOD SCREWS FOR MOUNTING**