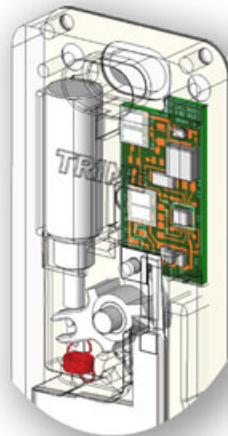


THE UNIVERSAL 4850 - SIZE ADJUSTABLE VOLTAGE SELECTABLE, ALWAYS DEPENDABLE



Fits in Tight Installs like Glass.



Smart Plug & Play Self Adjusting 12V through 24V DC Surge & Kickback Protection included



Install Securely with our Patented Anchor Pin System

FEATURES:

- Grade 1 Strike – 1/2" thick Surface Mount that comes with a 1/4" and a 1/8" Spacer – this provides the flexibility of up to 4 different sizes!
- Allows for up to a 1" throw.
- NO CUTTING OF THE FRAME
- Built-in electronics automatically allows 11 thru 28 DC Voltage input – with surge and kickback protection included.
- Comes with Trines Patented 6-pin Anchoring System for extra strength and stability.
- Contains a one piece locking mechanism with one Solenoid – less parts mean less problems.
- Grade 1 strike: 1,500 lbs Holding Force.
- 1,000,000+ Life cycles.

Finishes:

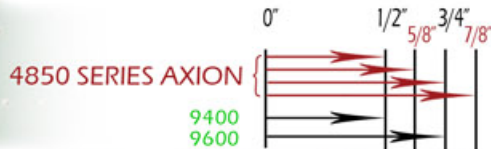
- 4850-32D (Satin Stainless Steel – BHMA630)
- 4850-US3 (Bright Brass – BHMA605)
- 4850-US4 (Satin Brass – BHMA606)
- 4850-US10 (Satin Bronze – BHMA612)
- 4850-US10B (Dark Bronze – BHMA640)
- 4850-32 (Polished Stainless Steel – BHMA629)

www.trineonline.com

UNIVERSAL
POSSIBILITIES

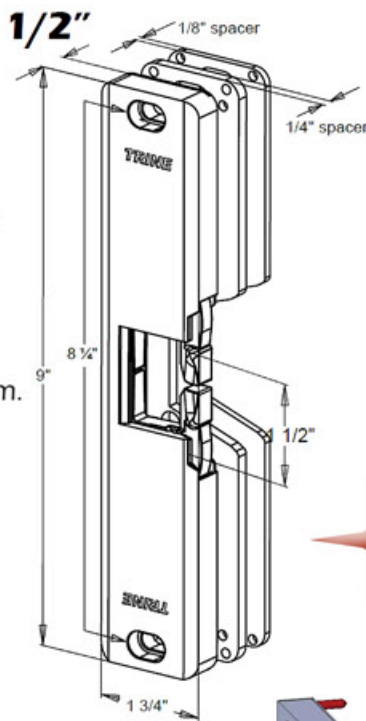
THE UNIVERSAL 4850

TOTAL THICKNESS COMPARISON

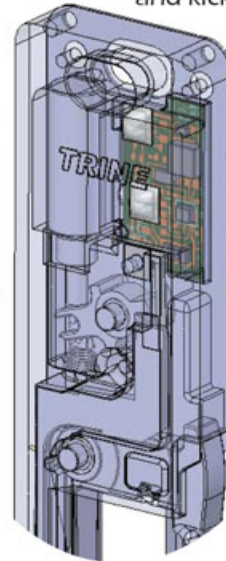


The Axion 4850 provides 4 sizes right out of the box!

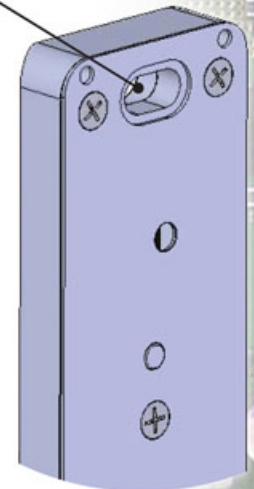
- Grade 1 Strike – 1/2" thick Surface Mount that comes with a 1/4" and a 1/8" Spacer this provides the flexibility of up to 4 different sizes!
- Built-in electronics automatically allow 11 thru 28 DC Voltage surge & kickback protection - is included.
- Patented 6-pin Anchoring System.
- One piece mechanism One Solenoid.
- 1,000,000+ Life cycles.
- No cutting or worrying about voltage means you are always prepared.



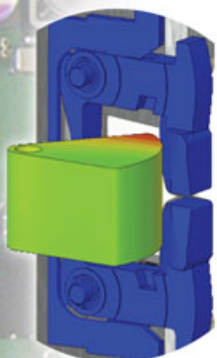
Built-in electronics automatically allow 11 thru 28 DC Voltage input – with surge and kickback protection.



Clearance for a 7/16 dia. head of a blind threaded insert with a #1/4-20 thread for aluminum frame applications.



Voltage	Pull In/Holding Current/Amps	Duty	Sound
12DC	0.500/0.178	Intrm./Cont.	Silent
16DC	0.385/0.131	Intrm./Cont.	Silent
24DC	0.255/0.084	Intrm./Cont.	Silent



Patented One Piece Locking Mechanism
A simpler and more durable model of strike for the highest level of performance.

Patented 6-pin Anchoring System:

Six additional points of protection and helps you to handle the toughest installations.

This brings the 4850 to a total 8 points of connection between the frame and strike. All at your choosing.

