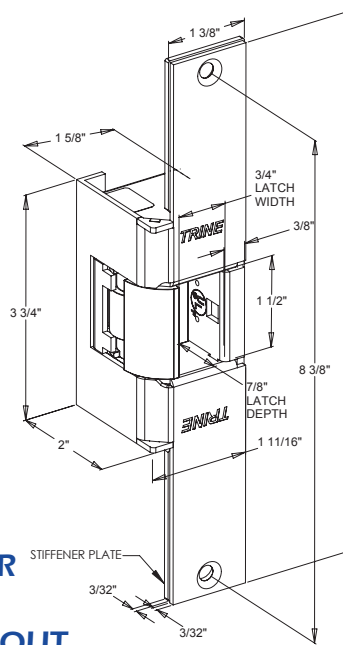
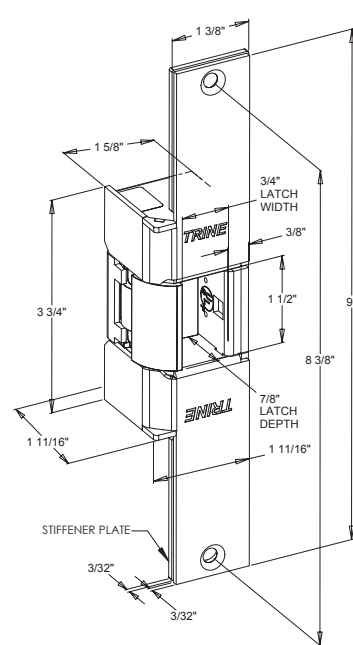
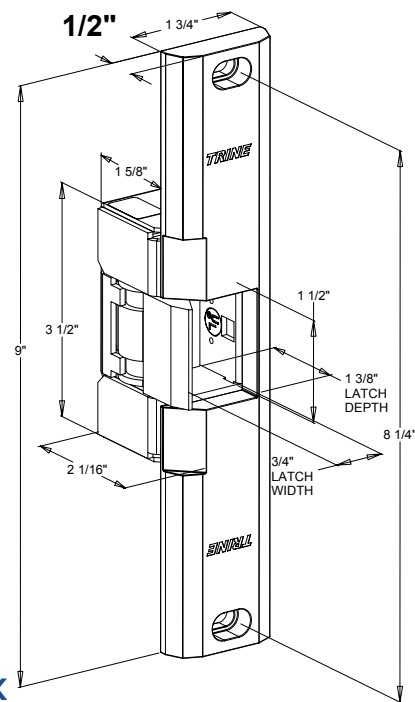
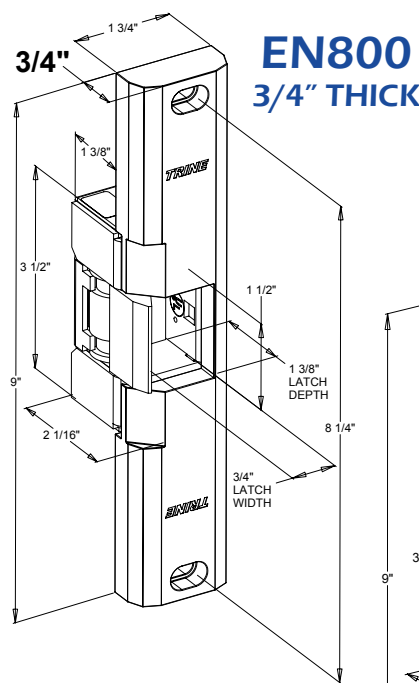
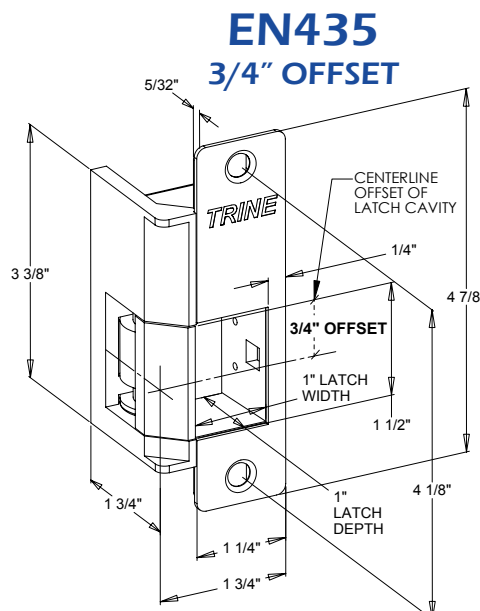
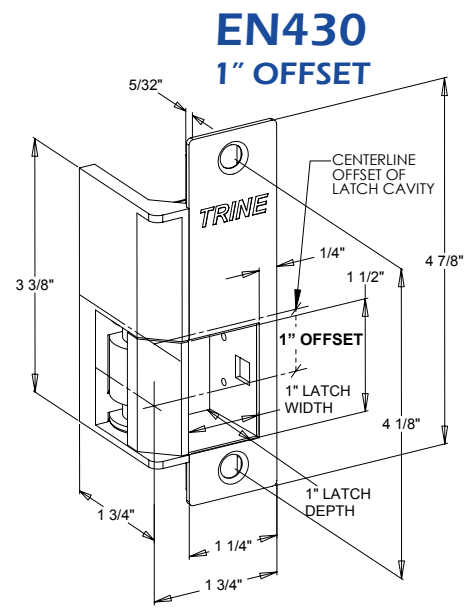
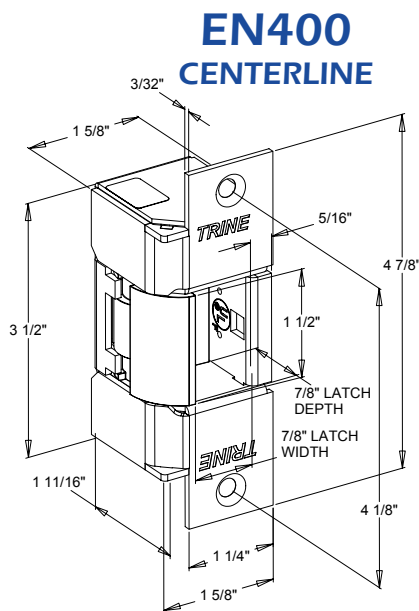




**EN SERIES**

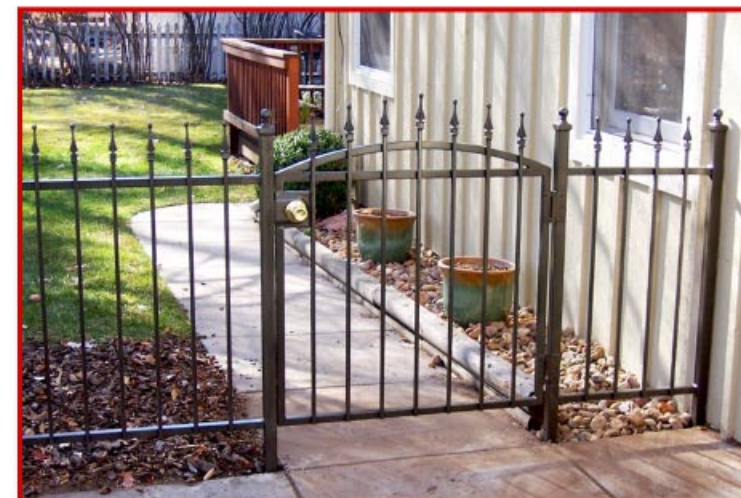
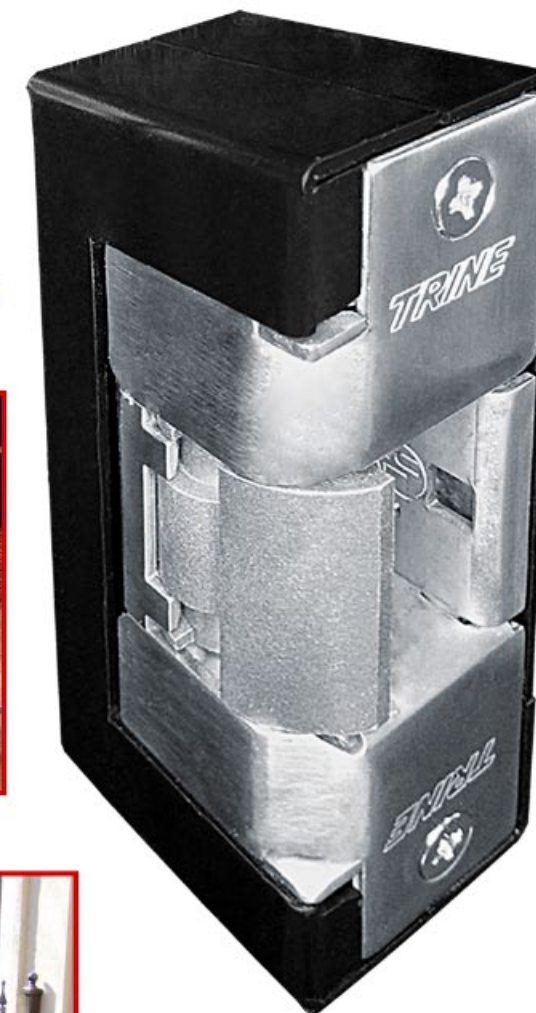
# EN SERIES DIMENSIONS



The **ONLY**  **Outdoor rated strike.**

## EN400

Grade 1 – Fire rated  
Indoor/Outdoor rated  
Only 8 parts – One Moving part



Weldable outdoor gatebox is Trine part # **EN400-GATEBOX**

& Keedex Model # **K-BXES-EN400**

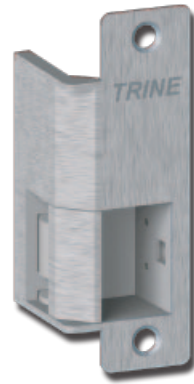
## EN400 CENTERLINE



- Field Reversible handing
- Use with the EN-Gatebox for easy installs

For new or replacement installations in wood or metal jambs. Use with cylindrical locksets, mortise locks without dead bolts, and mortise exit devices with up to 7/8" throw.

## EN430 1" OFFSET



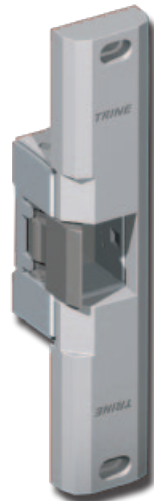
Designed to work with Schlage L Series, Sargent 7700, Sargent 8100, Yale 8700, & similar locksets.

## EN435 3/4" OFFSET



Designed to work with Arrow, Falcon, Sargent 7800, 8200, 9200, Yale 8800. Factory tested by Best to work with the 45H Series.

## EN800 3/4" THICK



### GREAT FOR OUTDOOR GATES

For new or replacement installations in wood or metal jambs. Use with cylindrical locksets, mortise locks without dead bolts, and mortise exit devices with up to 7/8" throw, based on 1/8" door gap.

## EN850 1/2" THICK



## EN950 FITS FOLGER ADAMS® 310-2 CUTOUT



### COVERS HOLES LEFT FROM PREVIOUS ELECTRIC STRIKES IN THE FRAME.

For new or replacement installations in wood or metal jambs. Use with cylindrical locksets, mortise locks without dead bolts, and mortise exit devices with up to 7/8" throw, based on 1/8" door gap.

## EN960 FITS FOLGER ADAMS® 310-2 3/4" CUTOUT



#### All Models Contain:

- Superior Strength – 2,000+ lbs UL® tested.
- Superior Life – Durability of 1,000,000+ life cycles
- Superior Application - Outdoor UL® rating allows the strike to be used anywhere - especially for gates.
- Fail secure/Fail safe field reversible on DC units.
- Grade 1 Strike – Contains a one piece locking mechanism with one Solenoid – less parts mean less problems.

#### EN ELECTRICAL CHARACTERISTICS

VOLTAGE	CURRENT/AMPS	OHMS	DUTY	SOUND
12VAC	.70	4.5	Intm.	Buzz
24VAC	.37	18.0	Intm.	Buzz
12VDC	.28	43.0	Intm/Cont.	Silent
24VDC	.15	164.0	Intm/Cont.	Silent

#### WIRE LEAD COLOR

12AC = 1 BLUE, 1 ORANGE/WHITE    12DC = 2 ORANGE/WHITE  
24AC = 1 BLUE, 1 BLACK/WHITE    24DC = 2 BLACK/WHITE

#### SOME ACCESSORIES

- LC100 - VARIABLE VOLTAGE
- ESK-1 EN SERVICE KIT  
1 LATCH SPRING, 1 ASSEMBLY PIN  
2 PFH MOUNTING SCREWS  
2 PFH COVER SCREWS  
2 WIRE NUT CAPSM INSTRUCTIONS
- TRS - TAMPER RES. TORX SCREWS
- EN-TS - TRIM SKIRT

#### All EN Series strike are

Available in 6 Finishes: [\(add finish to end of model\)](#)

- 32D (Satin Stainless Steel – BHMA630)
- US3 (Bright Brass – BHMA605)
- US4 (Satin Brass – BHMA606)
- US10 (Satin Bronze – BHMA612)
- US10B (Dark Bronze – BHMA640)
- 26 (Bright Chrome – BHMA651)